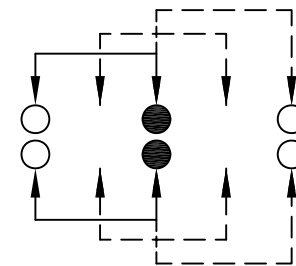
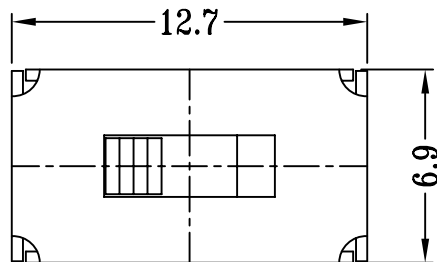
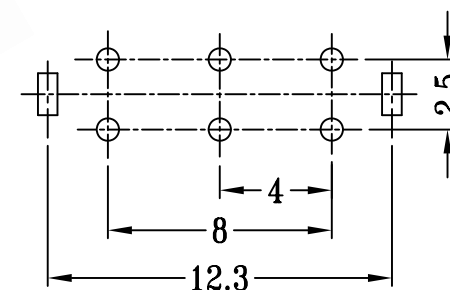
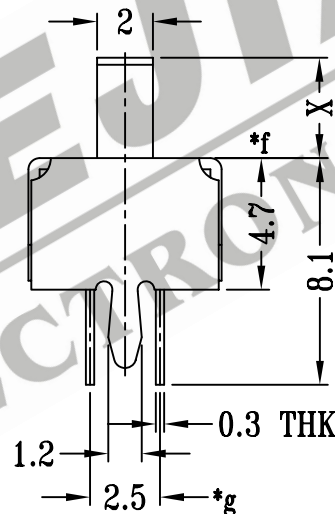
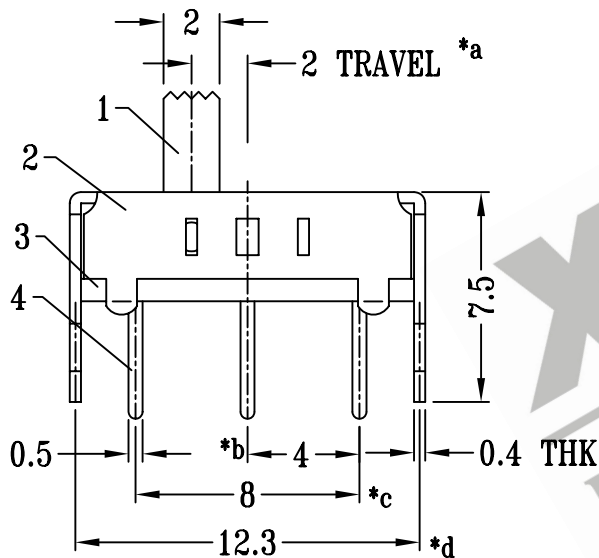




CAD FILE:



SCHEMATIC (NON-SHORTING)



P.C.B (LAYOUT)

注:带"*"表示关键尺寸(8个)

NO.	PARTS	MATERIALS	Q'TY	FINISH	TOLERANCE UNLESS SPECIFIED	SHENZHEN XIEJIA ELECTRONICS CO.,LTD.				
8										
7										
6	SPRING PLATE	STAINLESS STEEL	2	NATURAL	WITHIN: 1.5±0.1mm OVER: 1.5±0.2mm	ISSUE	DATE	DESCRIPTIONS OF REVISION		APPD.
5	CONTACT CLIP	PBS	2	Ag CLAD						
4	TERMINAL	BRASS STRIP	6	Ag PLATED OVER Ni PLATED	TITLE : VERTICAL SLIDE SWITCH	UNIT : mm		DRWG NO.: XJ-DR-SS23D16-00		
3	BASE	PHENOLIC RESIN	1	NATURAL	MODEL: SS-23D16	SCALE: 7 : 2		DWN.	ZHOUYU	2005-11-25
2	FRAME	STEEL STRIP	1	Ni PLATED				CHK'D	FANGYING	2005-11-25
1	KNOB	POM	1	BLACK				APPD.	KANGXINAN	2005-11-25
					ALL MATERIALS MUST BE COMPLIANT TO ROHS					